



**JWDS-460-M**

**Drum Sander**

**JR009 1 ~230V 50Hz**

## **PARTS LIST**

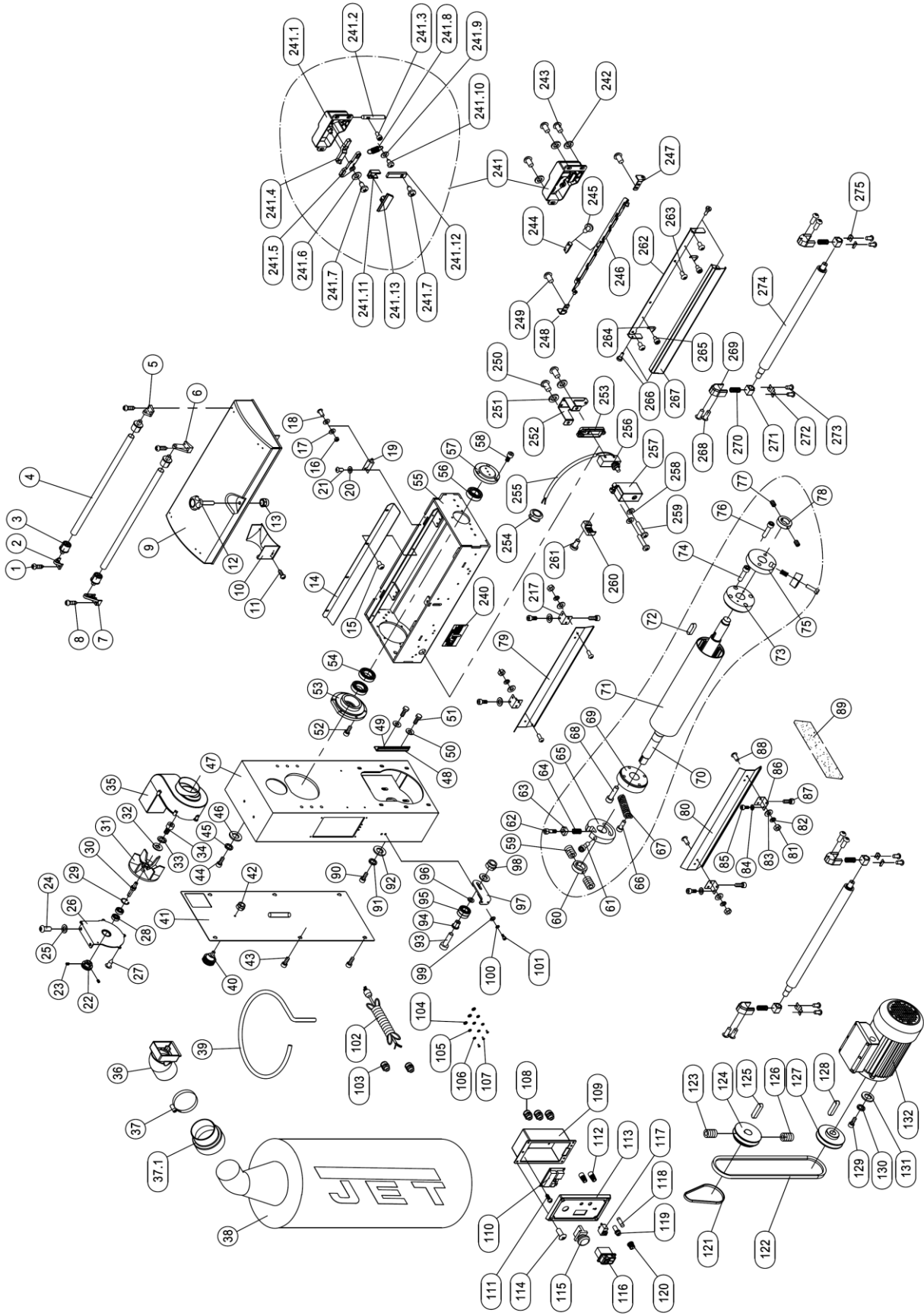


**Импортер в РФ: ООО «ИТА Технолоджи»**  
105082, Москва, Переведеновский пер., д. 17  
[www.jettools.ru](http://www.jettools.ru)

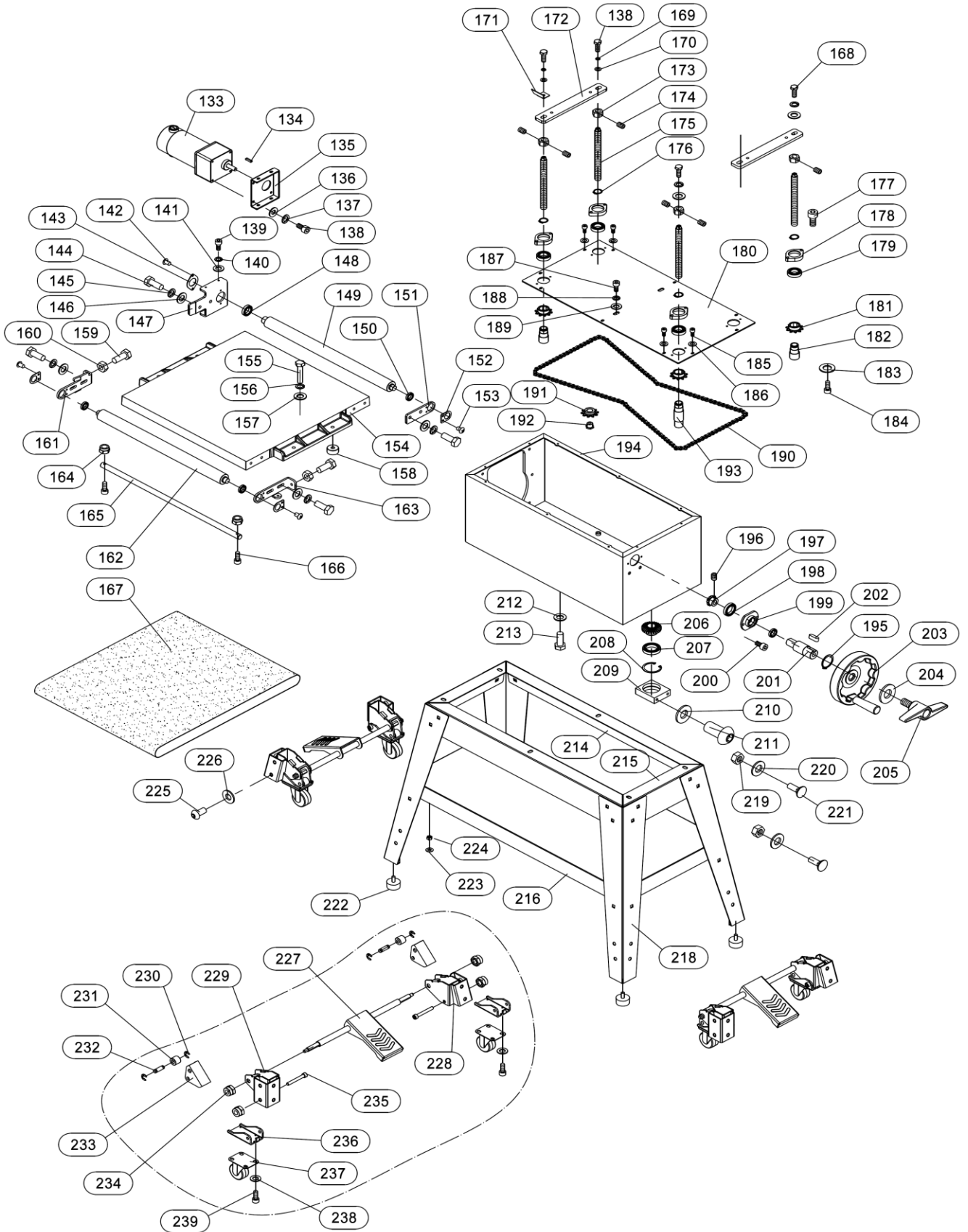
Made in PRC / Сделано в КНР

P-JR009 2025-06

# Parts Breakdown for JWDS-460-M Drum Sander



# Parts Breakdown for JWDS-460-M Drum Sander



## Parts List for JWDS-460-M Drum Sander

Index No.	Part No.	Description	Size	Qty
1	JWDS460-001	Thread Forming Screw	ST4.2x19	6
2	JWDS460-002	Rear Plastic Support A		1
3	JWDS460-003	Insert Cap		4
4	JWDS460-004	Return Roller		2
5	JWDS460-005	Rear Plastic Support B		1
6	JWDS460-006	Front Plastic Support A		1
7	JWDS460-007	Front Plastic Support B		1
8	JWDS460-008	Thread Forming Screw	ST4.2X25	2
9	JWDS460-009	Head Frame Cover		1
10	JWDS460-010	Plastic Cover		1
11	JWDS460-011	Thread Forming Screw	ST3.5X9.5	4
12	JWDS460-012	Knob		1
13	TS-1541031	Lock Hex Nut	M8	1
14	JWDS460-014	Chip Deflector Plate		1
15	GB/T818	Socket pan head screw	M5X10	4
16	TS-1540021	Hex Nut	M4	4
17	TS-1550021	Flat Washer	4 mm	8
18	TS-1532042	Pan Head Machine Screw	M4x12	4
19	JWDS460-019	Hinge		2
20	TS-1550021	Flat Washer	4 mm	4
21	TS-2284082	Pan Head Machine Screw	M4x8	4
22	JWDS460-022	Fan Pulley		1
23	TS-2276081	Socket Set Screw	M6x8	2
24	TS-2246162	Socket Head Button Screw	M6x16	2
25	TS-1550041	Flat Washer	6mm	2
26	JWDS460-026	Mounting Plate		1
27	JWDS460-027	Thread Forming Screw	ST3.5x13	5
28	BB-6000ZZ	Ball Bearing	6000-2RS	2
29	JWDS460-029	Internal Retaining Ring	26mm	1
30	JWDS460-030	Fan Shaft		1
31	JWDS460-031	Fan		1
32	TS-1550041	Flat Washer	6mm	1
33	TS-2361061	Lock Washer	6mm	1
34	TS-1503031	Socket Head Cap Screw	M6x12	1
35	JWDS460-035	Dust Exhaust		1
36	JWDS460-036	Dust Chute		1
37	JWDS460-037	Hose Clamp		1
37.1	JWDS460-037.1	Adapter		1
38	JWDS460-038	Filter Bag		1
39	JWDS460-039	Filter Bag Support		1
40	JWDS460-040	Knob		1
41	JWDS460-041	Side Cover		1
42	TS-1541011	Lock Nut	M5	1
43	TS-2245102	Socket Head Button Screw	M5x10	6
44	TS-1504041	Socket Head Cap Screw	M8x20	6
45	TS-2361081	Lock Washer	8mm	6
46	TS-1550061	Flat Washer	8mm	6
47	JWDS460-047	Side Cabinet		1
48	JWDS460-048	Scale Plate		1
49	JWDS460-049	Height Scale		1
50	TS-1550031	Flat Washer	5mm	2
51	TS-1481021	Hex Cap Screw	M5x10	2
52	TS-1503031	Socket Head Cap Screw	M6X12	6
53	JWDS460-053	Bearing House (Left)		1

54	BB6006	Ball Bearing	6006-2RS	2
55	JWDS460-055	Head Frame	6	1

### Parts List for JWDS-460-M Drum Sander

Index No.	Part No.	Description	Size	Q'ty
56	BB6205-2RS	Ball Bearing 6205-2rs	6205-2RS	1
57	JWDS460-057	Bearing House (Right)		1
58	TS-1503031	Socket Head Cap Screw	M6x12	3
59	TS-2276081	Socket Set Screw	M6x8	2
60	JWDS460-060	Left Limiting Collar		1
61	TS-1503051	Socket Head Cap Screw	M6x20	1
62	TS-1503051	Socket Head Cap Screw	M6x20	2
63	JWDS460-063	Belt Locking Block		2
64	JWDS460-064	Compression Spring		2
65	JWDS460-065	Sanding Belt Clamp Bracket (Left)		1
66	TS-1503031	Socket Head Cap Screw	M6x12	1
67	JWDS460-067	Belt Tension Spring		1
68	TS-1504071	Socket Head Cap Screw	M8x35	4
69	JWDS460-069	Left Drum Cover		1
70	JWDS460-070	Shaft		1
71	JWDS460-071	Belt Drum		1
72	JWDS460-072	Key	8X7X25mm	1
73	JWDS460-073	Right Drum Cover		1
74	TS-1504071	Socket Head Cap Screw	M8x35	4
75	JWDS460-075	Sanding Belt Clamp Bracket (Right)		1
76	TS-1503051	Socket Head Cap Screw	M6x20	2
77	TS-2276081	Socket Set Screw	M6x8	2
78	JWDS460-078	Right Limiting Collar		1
79	JWDS460-079	Rear Pressure Plate		1
80	JWDS460-080	Front Pressure Plate		1
81	TS-1541011	Hex Nut	M5	8
82	TS-2361051	Lock Washer	5 mm	8
83	TS-1550031	Flat Washer	5 mm	8
84	TS-1550031	Flat Washer	5 mm	8
85	TS-1502021	Socket Head Cap Screw	M5x10	8
86	JWDS460-086	Front Connecting Plate		2
87	TS-1502021	Socket Head Cap Screw	M5x10	4
88	TS-2245102	Socket Button Head Cap Screw	M5x10	8
89	JWDS460-089	Grinding Sand Belt		1
90	JWDS460-090	Socket Head Cap Screw	M8x20	6
91	TS-2361081	Lock Washer	8mm	6
92	TS-1550061	Flat Washer	8mm	6
93	TS-1504081	Socket Head Cap Screw	M8x40	1
94	JWDS460-094	Bushing		1
95	BB-6003	Ball Bearing	6003-2RS	2
96	TS-1550061	Flat Washer	8mm	2
97	JWDS460-097	Support Plate		1
98	TS-2311081	Lock Nut	M8	1
99	TS-1550041	Flat Washer	6mm	2
100	TS-2361061	Lock Washer	6mm	2
101	TS-1503031	Socket Head Cap Screw	M6X12	2
102	JWDS460-102	Power Cord		1
103	JWDS460-103	Strain Relief		2
104	JWDS460-104	Serrated Washer	5mm	3
105	TS-1550031	Flat Washer	5mm	3
106	TS-2361051	Lock Washer	5mm	3
107	TS-1533042	Pan Head Machine Screw	M5x12	3
108	JWDS460-108	Strain Relief		3
109	JWDS460-109	Switch Box		1

110	JWDS460-110	Dc Motor Driver		1
-----	-------------	-----------------	--	---

## Parts List for JWDS-460-M Drum Sander

Index No.	Part No.	Description	Size	Qty
111	JWDS460-111	Thread Forming Screw	ST2.9x9.5	4
112	JWDS460-112	Terminal		2
113	JWDS460-113	Switch Mounting Plate		1
114	JWDS460-114	Pan Head Machine Screw	M5x12	4
115	JWDS460-115	Emergency Stop		1
116	JWDS460-116	Switch		1
117	JWDS460-117	Overload Protector		1
118	JWDS460-118	Fuse		1
119	JWDS460-119	Fuse Holder		1
120	JWDS460-120	Potentiometer Knob		1
121	JWDS460-121	Fan Belt		1
122	JWDS460-122	Drive Belt		1
123	TS-2276081	Socket Set Screw	M6x8	1
124	JWDS460-124	Shaft Pulley		1
125	JWDS460-125	Key	8X7X25mm	1
126	TS-2276081	Socket Set Screw	M6x8	1
127	JWDS460-127	Motor Pulley		1
128	JWDS460-128	Key	6x6x30mm	1
129	TS-1504041	Socket Head Cap Screw	M8x20	4
130	TS-2361081	Lock Washer	8mm	4
131	TS-1550061	Flat Washer	8mm	4
132	JWDS460-132	Motor		1
	JWDS460-132RC	Running Capacitor (Not Shown)		1
	JWDS460-132JB	Junction Box (Not Shown)		1
	JWDS460-132JBC	Junction Box Cover (Not Shown)		1
	JWDS460-132MF	Motor Fan (Not Shown)		1
	JWDS460-132MFC	Motor Fan Cover (Not Shown)		1
133	JWDS460-133	Dc Motor		1
134	JWDS460-134	Key	4X4X25mm	1
135	JWDS460-135	Dc Motor Mounting Plate		1
136	TS-1550041	Flat Washer	6mm	4
137	TS-2361061	Lock Washer	6mm	4
138	TS-1503031	Socket Head Cap Screw	M6x12	6
139	TS-1502041	Socket Head Cap Screw	M5x16	4
140	TS-2361051	Lock Washer	5mm	4
141	TS-1550031	Flat Washer	5mm	4
142	TS-2245102	Socket Button Head Cap Screw	M5x10	2
143	JWDS460-143	Bearing Cover		1
144	TS-1490031	Hex Cap Screw	M8x20	8
145	TS-2361081	Lock Washer	8mm	8
146	TS-1550061	Flat Washer	8mm	8
147	JWDS460-147	Rear Feed Roller Bracket (Left)		1
148	BB-61804	Ball Bearing	61804-2RS	1
149	JWDS460-149	Rear Feed Roller		1
150	BB-61802	Ball Bearing	61802-2RS	3
151	JWDS460-151	Rear Feed Roller Bracket (Right)		1
152	JWDS460-152	Bearing Cover		3
153	TS-2245102	Socket Button Head Cap Screw	M5x10	6
154	JWDS460-154	Table		1
155	TS-1504081	Socket Head Cap Screw	M8x40	4
156	TS-2361081	Lock Washer	8mm	4
157	TS-1550061	Flat Washer	8mm	4
158	JWDS460-158	Spacer Bushing		4
159	TS-1490041	Hex Cap Screw	M8x25	2

160	TS-2311081	Hex Nut	M8	2
-----	------------	---------	----	---

## Parts List for JWDS-460-M Drum Sander

Index No.	Part No.	Description	Size	Qty
161	JWDS460-161	Front Feed Roller Bracket (Left)		1
162	JWDS460-162	Front Feed Roller		1
163	JWDS460-163	Front Feed Roller Bracket (Right)		1
164	TS-1541021	Lock Nut	M6	2
165	JWDS460-165	Adjusting Rod		1
166	TS-1503081	Socket Head Cap Screw	M6x35	2
167	JWDS460-167	Conveyor Belt		1
168	TS-1482021	Hex Cap Screw	M6x12	2
169	TS-2361061	Lock Washer	6mm	4
170	TS-1550041	Flat Washer	6mm	4
171	JWDS460-171	Pointer		1
172	JWDS460-172	Steel Bar		2
173	JWDS460-173	Adjusting Collar		4
174	TS-1523011	Socket Set Screw	M6x6	8
175	JWDS460-175	Elevation Screw		4
176	JWDS460-176	External Retaining Ring	20mm	4
177	TS-1502041	Socket Head Cap Screw	M5x16	8
178	JWDS460-178	Bearing Seat		4
179	BB61904	Ball Bearing	61904-2RS	4
180	JWDS460-180	Base Cover Plate		1
181	JWDS460-181	Sprocket		4
182	JWDS460-182	Elevation Nut		3
183	TS-1550041	Flat Washer	6mm	1
184	TS-1503031	Socket Head Cap Screw	M6x12	1
185	TS-1502021	Socket Head Cap Screw	M5x10	10
185	TS-1550031	Flat Washer	5mm	10
187	TS-1504031	Socket Head Cap Screw	M8x16	2
188	TS-2361081	Lock Washer	8mm	2
189	TS-1550061	Flat Washer	8mm	2
190	JWDS460-190	Chain		1
191	JWDS460-191	Idle Sprocket		2
192	JWDS460-192	Support Rod		2
193	JWDS460-193	Elevation Nut		1
194	JWDS460-194	Base		1
195	JWDS460-195	Retaining Ring	16mm	1
196	TS-2276081	Socket Set Screw	M6x8	1
197	JWDS460-197	Bevel Gear (15T)		1
198	BB61803	Ball Bearing	61803-2RS	2
199	JWDS460-199	Support Bracket		1
200	TS-1502041	Socket Head Cap Screw	M5x16	2
201	JWDS460-201	Shaft		1
202	JWDS460-202	Key	5X5X16mm	1
203	JWDS460-203	Hand Wheel		1
204	TS-1550061	Flat Washer	8mm	1
205	JWDS460-205	Lock Knob		1
206	JWDS460-206	Bevel Gear (25T)		1
207	BB61906	Ball Bearing	61906-2RS	1
208	JWDS460-208	Internal Retaining Ring	47mm	1
209	JWDS460-209	Bearing Support Block		1
210	TS-1550061	Flat Washer	8mm	2
211	TS-2248122	Socket Button Head Cap Screw	M8x12	2
212	TS-1550061	Flat Washer	8mm	6
213	TS-2228161	Hex Cap Screw	M8x16	6
214	JWDS460-214	Long Top Frame		2

215	JWDS460-215	Short Top Frame	2
-----	-------------	-----------------	---

## Parts List for JWDS-460-M Drum Sander

Index No.	Part No.	Description	Size	Qty
216	JWDS460-216	Middle Tray		1
217	JWDS460-217	Rear Connecting Plate		2
218	JWDS460-218	Leg		4
219	TS-2311081	Hex Nut	M8	24
220	TS-1550061	Flat Washer	8mm	24
221	JWDS460-221	Carriage Bolt	M8x16	24
222	JWDS460-222	Foot		4
223	TS-1550061	Flat Washer	8mm	4
224	TS-2311081	Hex Nut	M8	4
225	TS-2248122	Socket Button Head Cap Screw	M8x12	16
226	TS-1550061	Flat Washer	8mm	16
227	JWDS460-227	Foot Pedal		2
228	JWDS460-228	Caster Support A		2
229	JWDS460-229	Caster Support B		2
230	JWDS460-230	External Retaining Ring	8mm	8
231	JWDS460-231	Rolling Bush		4
232	JWDS460-232	Shaft		4
233	JWDS460-233	Cam Plate		4
234	TS-1541031	Lock Nut	M8	8
235	TS-1490111	Hex Cap Screw	M8x60	4
236	JWDS460-236	Caster Mounting Plate		4
237	JWDS460-237	Caster		4
238	TS-1550031	Flat Washer	5mm	16
239	TS-1502011	Socket Head Cap Screw	M5x8	16
240	JWDS460-240	Depth Scale Label		1
241	JWDS460-241A	Cutting Depth Indicator Assembly		1
241.1	JWDS460-241.1	Mounting Box		1
241.2	JWDS460-241.2	Joint Rod		1
241.3	GB/T70.1	Socket Head Cap Screw	M4x6	1
241.4	JWDS460-241.4	Rod Connecting Plate		1
241.5	JWDS460-241.5	Transition Panel		1
241.6	GB/T 96.2	Flat Washer	4 mm	1
241.7	GB/T 845	Thread Forming Screw	ST3.5x9.5	2
241.8	JWDS460-241.8	Sring		1
241.9	GB/T 95	Flat Washer	3 mm	1
241.10	GB/T 845	Thread Forming Screw	ST2.9x6.5	1
241.11	JWDS460-241.11	Sliding Block		1
241.12	JWDS460-241.12	Guide Plate		1
241.13	JWDS460-241.13	Depth Pointer		1
242	GB/T 95	Flat Washer	6mm	3
243	GB/T 70.2	Socket Pan Head Screw	M6x10	3
244	JWDS460-244	Rod Connecting Block		1
245	GB/T 845	Thread Forming Screw	ST3.5x9.5	2
246	JWDS460-246	Pointer Trigger Plate		1
247	JWDS460-247	Right Support Plate		1
248	JWDS460-248	Left Support Plate		1
249	GB/T 70.2	Socket Pan Head Screw	M6x8	4
250	GB/T 70.2	Socket Pan Head Screw	M6x8	2
251	GB/T 95	Flat Washer	6mm	2
252	JWDS460-252	Micro Switch Supporting Plate		1
253	JWDS460-253	Micro Switch Cover		1
254	JWDS460-254	Rubber Bushing		1
255	JWDS460-255	Inner Wire		1
256	JWDS460-256	Micro Switch		1



257	JWDS460-257	Micro Switch Box		1
258	GB/T 95	Flat Washer	4 mm	3

### Parts List for JWDS-460-M Drum Sander

Index No.	Part No.	Description	Size	Qty
259	GB/T 818	Pan Head Screw	M4x20	3
260	JWDS460-260	Cord Clamp		1
261	GB/T 70.1	Socket Head Cap Screw	M5x12	1
262	JWDS460-262	Stop Panel Base		1
263	GB/T 70.2	Socket Pan Head Screw	M6x8	4
264	JWDS460-264	Spring Plate		2
265	GB/T 70.1	Socket Head Cap Screw	M4x6	2
266	JWDS460-266	Shoulder Screw		2
267	JWDS460-267	Emergency Stop Panel		1
268	GB/T 70.2	Socket Button Head Cap Screw	M6x16	8
269	JWDS460-269	Support Bracket		4
270	JWDS460-270	Spring		4
271	JWDS460-271	Bearing Block		4
272	JWDS460-272	Limit Plate		2
273	GB/T 70.2	Socket Pan Head Screw	M5x8	8
274	JWDS460-274	Pressure Roller		2
275	JWDS460-275	Limit Plate		4
	JWDS460-WL	JET Warning Label (Not Shown)		1
	JWDS460-ID	JET ID Label (Not Shown)		1
	JWDS460-ML	JET Motor Label (Not Shown)		1
	JET-LOGO	JET Logo With Adhesive (Not Shown)		1
	JET Model Logo	JET Model Logo With Adhesive		1

## Wiring Diagram for JWDS-460-M Drum Sander

	colour of strands	Litzenfarben	couleur des cordons
BK	black	schwarz	noir
WH	white	weiß	blanc
BU	blue	blau	bleu
YE	yellow	gelb	jaune
RD	red	rot	rouge
BN	brown	braun	brun
GY	grey	grau	gris
GNYE	green-yellow	grün-gelb	vert-jaune
OG	orange	orange	orange
VT	violet	violett	violet

	meaning of symbol	Bedeutung der Zeichen	interprétation
M	motor	Motor	moteur
S	switch	Schalter	interrupteur
C	condenser	Kondensator	condensateur
E	electronic unit	Elektronik Einheit	unité électronique
F	fuse	Sicherung	fusible
RS	reversing switch	Drehrichtungsschalter	commu. droite/gauche
CS	centrifugal switch	Fliehkraftschalter	déclencheur centrifuge
OL	overload cut-off	Überlastschuttschalter	déclencheur surcharge
L	machine lamp	Maschinenleuchte	lampe
LS	limit switch	Positionsendschalter	micro

**JR009..... ~ 230V, 50Hz**

